

Standard Preparation Hand Wash Basin - Wall Mounted

ITEM # _____

MODEL # _____

NAME # _____

SIS # _____

AIA # _____



132952 (NHWSW40)

Wall mounted Hand Wash
Basin, knee-operated, with 1
bowl, Mixer spout and drain
hole

Short Form Specification

Item No. _____

Made from 304 AISI stainless steel. Integral radiused rear
upstand. Knee-operated by pressing on front panel.

Bowl mm340x365x155h with mixer spout and drain hole.

Main Features

- Steel knee pedal makes the handwashing basin extremely easy to use.
- Easy to clean thanks to the rounded bowl and corners.
- Washbasin can be equipped with a wall panel plus paper and soap dispensers as optional extras.
- Sturdiness, stability and reliability of table accurately tested.

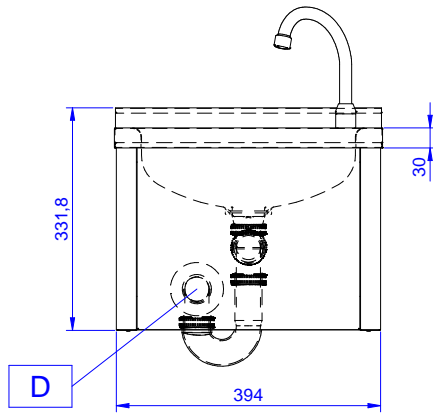
Construction

- Mixer spout, ½" in diameter and drain hole supplied as standard.
- Constructed entirely in 18/10 stainless steel.
- Sound deadened pressed bowl with rounded corners and all-round lip to prevent overspill.
- Rear upstand 30 mm in height and 1.5 mm thick.
- Syphon included in the delivery.
- Wide range of taps are available to suit every need.
- 100 mm upstand with 10 mm radiused corner and 13 mm deep, designed to be used against a wall.

Optional Accessories

APPROVAL: _____

Front

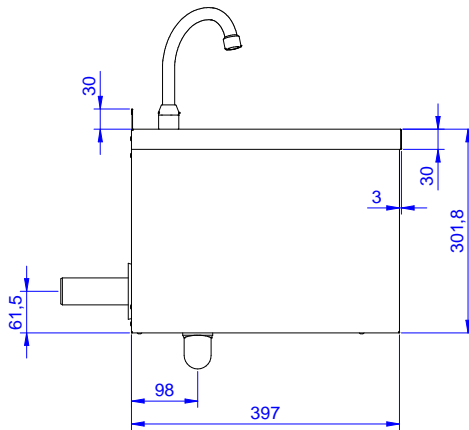

Water:

Inlet water line size:	1/2"
Incoming Cold/hot Water line size:	1/2"
Water drain outlet size:	1 1/2"

Key Information:

External dimensions, Width:	400 mm
External dimensions, Depth:	400 mm
External dimensions, Height:	332 mm
Upstand Dimensions, Height:	30 mm
Upstand Dimensions, Depth:	1.5 mm
Upstand Dimensions, Radius:	90°
Bowls number	1
Bowl dimensions	340x365xH155
Worktop thickness:	30 mm
Net weight:	6.5 kg

Side



CWI = Cold Water inlet 1 (cleaning)
 D = Drain
 HWI = Hot water inlet

Top

